



MAXIMUM EFFICIENCY

6,000 / 8,000 LB. CAPACITY
CENTER CONTROL RIDERS

CAT[®]

PRODUCTIVITY

SHIFT AFTER SHIFT

Superior Performance

The heavy-duty 3-phase AC motors provide the power to run longer on one charge by using less energy per cycle. Additionally, our 190 degree steering arc allows operators to effectively maneuver these trucks, especially in more restrictive or confined spaces.

Exceptional Comfort For A Long Day's Work

With a T-style adjustable steer head, fully padded operator compartment and a large cushioned platform, these center control riders provide exceptional comfort and minimize fatigue for the operator. These trucks are designed with a compact hood that allows operators to change positions/stances throughout their shift. The thick, tubular, rubber-padded handrails help make the ride even easier.

ERGONOMIC CONTROL HEAD FEATURES

- Greater control for raising, lowering and reverse command with large, sealed buttons
- Rotary-thumb travel speed controls that can be utilized from either side
- Load lifting and lowering made simple with soft-touch switches



Simplified Maintenance:

- One-piece cover with two-bolt removal for major components
- Five-nut removal of the drive tire
- Accessible grease fittings on both sides of the swivel and axle



Less Downtime. More Reliability.

Optional Multi-functional LCD

- PIN numbers
- Customized performance settings
- Visual depiction of remaining battery charge.
- On-board diagnostics
- Tool-free troubleshooting

Enclosed frame

Helps keep the debris away from major components

IP65 rated sealed controller

allows these trucks to operate in wet rooms, coolers and freezers with temperatures down to -20°F (-28.9°C)

Powerful 3-phase AC technology:

Brushless AC drive motors utilize fewer components, requiring less maintenance

Thermal protection

may slow or shut down the system in case of high temperatures

Spring-loaded disc brake system

eliminates the need for adjustments

A five-point suspension frame

permits smooth movement of the rear frame

Heavy-duty lift system

combined with a quiet, spiral beveled gear drive system, provides solid and reliable performance

Auto-lift feature

provides a specific clearance to help reduce pallet and load carry component damage

Robust fork design





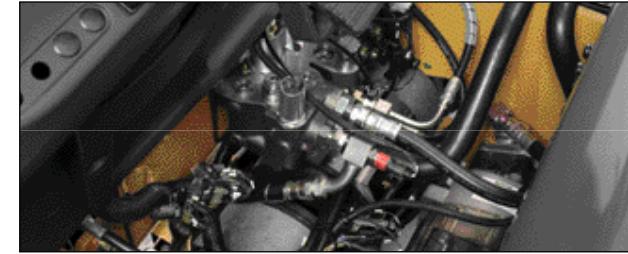
Local service and support



Genuine OEM parts



Custom financing packages



Factory warranty for added protection

MORE CONFIDENCE

Local Support You Can Count On

A Cat lift truck purchase connects you to a variety of material handling solutions, including world-class service and support from your local, trusted dealer. With trained service technicians, a diverse parts inventory and a broad selection of service options, your local dealer can help you lower costs, enhance productivity and more efficiently manage your business.

FINANCING MADE SIMPLE

Financing your next Cat lift truck is easy with our wide range of flexible leasing and purchasing options. Whether you want to finance or lease, your local Cat lift truck dealer can help customize a package for your business.

WHEN EVERY PART COUNTS

When buying from your local Cat lift truck dealer, you can rest assured that your genuine OEM parts are manufactured to meet original equipment criteria. Additionally, all Cat lift trucks OEM parts come with a six-month, unlimited-hours warranty.

When speed is critical, our Parts Fast Or Parts Free Guarantee* ensures next-business-day delivery of all Cat lift trucks parts, or they're free, including freight. If your part doesn't come in by the next business day, we pay for it.

STANDING BEHIND OUR PRODUCTS

We deliver peace of mind by helping your lift trucks stay on the job. Every new Cat lift truck is covered by a 1-year / 2,000-hours warranty that includes parts and labor, as well as components and systems. With our standard 2-year / 4,000-hours extended powertrain warranty, you'll have the confidence that only comes from owning a Cat lift truck.

* At dealer's location.

† Programs may be subject to change without notice and may vary by region. Please ask your local Cat lift truck dealer for complete terms and conditions.

Specifications

Characteristics				WC27M		WC36M	
1	Rated load capacity	lb	kg	6,000	2,720	8,000	3,630
2	Power type			24V electric		24V electric	
3	Operator type			walkie / rider		walkie / rider	
4	Tire type – drive / caster / load			solid rubber / poly / Dyalon® A Poly		solid rubber / poly / Dyalon® A Poly	
5	Wheels – drive / caster / load (x=driven)			1x / 2 / 2		1x / 2 / 2	
Dimensions				WC27M		WC36M	
6	Head length – forks raised	in	mm	56.9	1,445	56.9	1,445
7	Overall truck length	in	mm	104.9 / 140.9 / 152.9	2,665 / 3,580 / 3,885	104.9 / 140.9 / 152.9	2,665 / 3,580 / 3,885
8	Chassis width	in	mm	35.1	890	35.1	890
9	Face of forks to center of load wheel – forks raised	in	mm	36.4 / 56.5 / 56.5	925 / 1,435 / 1,435	36.4 / 56.5 / 56.5	925 / 1,435 / 1,435
	Face of forks to center of load wheel – forks lowered	in	mm	40.0 / 60.1 / 60.1	1,015 / 1,525 / 1,525	40.0 / 60.1 / 60.1	1,015 / 1,525 / 1,525
10	Center of load wheel to fork tips – forks raised	in	mm	11.3 / 27.2 / 39.2	290 / 690 / 995	11.3 / 27.2 / 39.2	290 / 690 / 995
	Center of load wheel to fork tips – forks lowered	in	mm	7.7 / 23.6 / 35.6	195 / 605 / 905	7.7 / 23.6 / 35.6	195 / 605 / 905
11	Wheelbase – forks raised	in	mm	85.3 / 106.2 / 106.2	2,165 / 2,700 / 2,700	85.3 / 106.2 / 106.2	2,165 / 2,700 / 2,700
	Wheelbase – forks lowered	in	mm	88.9 / 109.3 / 109.3	2,260 / 2,795 / 2,795	88.9 / 109.3 / 109.3	2,260 / 2,795 / 2,795
12	Drive tire – dimensions	in	mm	10 x 5	255 x 125	10 x 5	255 x 125
13	Caster wheel – dimensions	in	mm	6 x 3	150 x 75	6 x 3	150 x 75
14	Load wheels – dimensions	in	mm	3.25 x 6	85 x 150	3.25 x 6	85 x 150
Performance				WC27M		WC36M	
15	Travel speed – unloaded	mph	km/h	9.0	14.5	9.0	14.5
16	Travel speed – loaded	mph	km/h	7.2	11.6	6.2	10.0
17	Lift lower speed – unloaded	seconds		3.0 / 4.7		3.0 / 4.7	
18	Lift / lower speed – loaded	seconds		4.2 / 4.4		4.6 / 4.3	
19	Grade clearance – between caster and load wheels	%		57 / 40 / 40		57 / 40 / 40	
20	Grade clearance – from load wheel to fork tip	%		70 / 30 / 20		70 / 30 / 20	
21	Turning radius – standard	in	mm	93.5 / 114.5 / 114.5	2,375 / 2,910 / 2,910	93.5 / 114.5 / 114.5	2,375 / 2,910 / 2,910
	Turning radius – with handle at 90°	in	mm	98.7 / 119.7 / 119.7	2,510 / 3,040 / 3,040	98.7 / 119.7 / 119.7	2,510 / 3,040 / 3,040
22	Right angle stacking aisle* (40", 42", 48" load width)	in	mm	108 / 146 / 158	2,745 / 3,710 / 4,015	108 / 146 / 158	2,745 / 3,710 / 4,015
23	90° equal intersecting area* – 40" load length	in	mm	78 / 89 / 91	1,980 / 2,260 / 2,315	78 / 89 / 91	1,980 / 2,260 / 2,315
24	90° equal intersecting area* – 42" load length	in	mm	79 / 91 / 92	2,010 / 2,315 / 2,340	79 / 91 / 92	2,010 / 2,315 / 2,340
25	90° equal intersecting area* – 48" load length	in	mm	82 / 94 / 95	2,085 / 2,390 / 2,415	82 / 94 / 95	2,085 / 2,390 / 2,415
Weights				WC27M		WC36M	
26	Truck weight – no load, without battery	lb	kg	1,750 / 1,895 / 1,930	795 / 860 / 880	1,750 / 1,895 / 1,930	795 / 860 / 880
27	Battery weight – minimum	lb	kg	855	390	855	390
28	Battery weight – maximum	lb	kg	1,550	700	1,550	700
Forks				WC27M		WC36M	
29	Forks size – outside spread	in	mm	27	685	27	685
30	Fork length	in	mm	48 / 84 / 96	1,220 / 2,135 / 2,440	48 / 84 / 96	1,220 / 2,135 / 2,440
31	Fork height – raised	in	mm	9.25	235	9.25	235
32	Fork height – lowered	in	mm	3.25	82.5	3.25	82.5
33	Fork width	in	mm	9.25	235	9.25	235
Battery				WC27M		WC36M	
34	Compartment size* – length x width x height	in	mm	33.2 x 13.5 x 31.6	840 x 340 x 800	33.2 x 13.5 x 31.6	840 x 340 x 800
35	Amp Hr capacity – maximum (6-hour)	Ah		840		840	
36	Lead length – position B	in	mm	20	508	20	508
37	Connector	type		SB-175 Red		SB-175 Red	
38	Battery roller (optional) – height from the floor (forks lowered)	in	mm	7.05	180	7.05	180

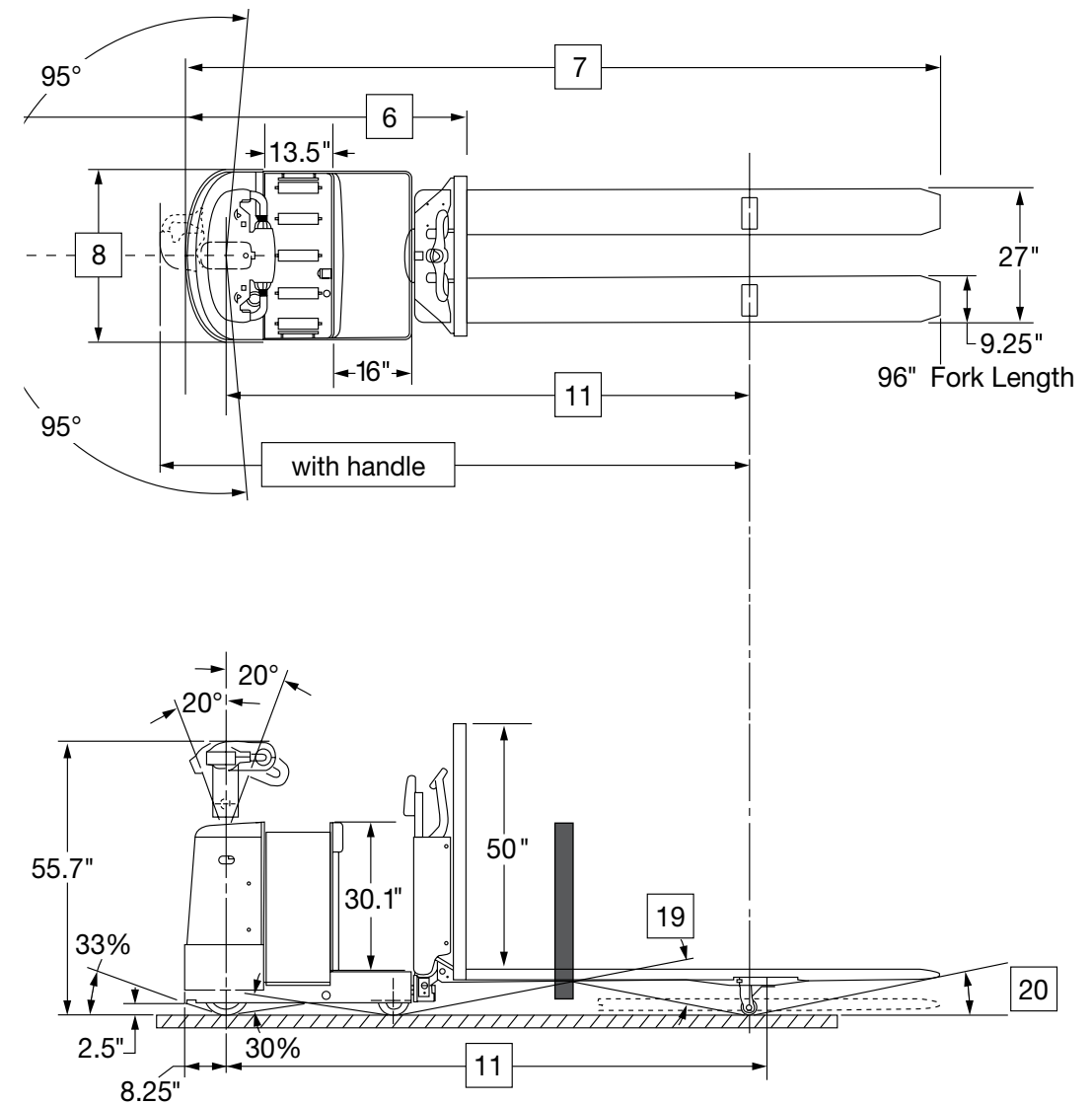
*Includes 1" clearance on each side of load.

Single Pallet Handling: Size the forks to the exact pallet length. The load wheels will drop in the second opening of the pallet.

Double Pallet Handling: Size the forks to the exact pallet combination length. The load wheels should be specified to drop in the first opening of the second pallet to reduce the turning radius of the truck.

NOTE: These specifications assume the use of drive axles, tires and tilt angles specified. Maximum converted value to gradeability at maximum torque of the traction motor. Any modification to specifications, or any other combination of specifications made after the shipment of the truck, requires prior written approval from Logisnext Americas, Inc. (See ANSI/ITSDF B56.1.) Also be advised that overall operating visibility may be affected by the mast configuration and mast options of your truck. Therefore, you may need to add ancillary [auxiliary] devices or modify your operating practices. Consult your dealer for further information.

Call-out numbers shown in the diagram correspond to the first column of the specifications chart.



Safety Standards

These trucks meet American National Standards Institute/Industrial Truck Standards Development Foundation, ANSI/ITSDF B56.1.

Users should be aware of, and adhere to, applicable codes and regulations regarding operator training, use, operation and maintenance of powered industrial trucks, including:

- ANSI/ITSDF B56.1.
- NFPA 505, fire safety standard for powered industrial trucks - type designations, areas of use, maintenance and operation.
- Occupational Safety and Health Administration (OSHA) regulations that may apply.

Contact your Cat lift truck dealer for further information including operator training programs and auxiliary visual and audible warning systems, fire extinguishers, etc., as available for specific user applications and requirements. Specifications, equipment, technical data, photos and illustrations based on information at time of printing and subject to change without notice. Some products may be shown with optional equipment.



Your Cat lift truck dealer can provide additional options and features to specialize your lift truck for your unique application. Operator training and custom financing programs are also available to help find the right fit for your business.

Helping move businesses forward – that’s how we’re built.

*The product shown may be different than the actual configuration based on market requirements

© 2026 Logisnext Americas Inc. CAT, CATERPILLAR, LET'S DOTHE WORK, their respective logos, "Caterpillar Corporate Yellow", the "Power Edge," and Cat "Modern Hex" trade dress as well as corporate and product identity used herein, are trademarks of Caterpillar used under license and may not be used without permission from Caterpillar. Some products may be shown with optional equipment.

Some products may be shown with optional equipment.

CEHN0201-01

04/26

