



MAXIMUM EFFICIENCY

**10,000 LB. CAPACITY
TOW TRACTOR**



SMART DESIGN INSIDE AND OUT

Superior Performance

The heavy-duty 3-phase AC motors provide the power to run longer on one charge by using less energy per cycle. Additionally, our large, easy to use steering head and steering controls allow operators to effectively maneuver these trucks, especially in more restrictive or confined spaces.

Exceptional Comfort Throughout the Shift.

With a T-style adjustable steer head and ergonomic padding, these tow tractors provide exceptional comfort while helping to minimize fatigue for the operator. These trucks are designed with a spacious operator compartment that allows operators to change positions/stances throughout their shift. And the deeply cushioned floor mat helps to absorb floor vibrations to help provide a smooth ride.

ERGONOMIC CONTROL HEAD FEATURES

Greater control for raising, lowering and reverse commands with large, sealed buttons

Rotary-thumb travel speed controls that can be utilized from either side

Load lifting and lowering made simple with soft-touch switches



Simplified Maintenance.

- Brushless AC drive motors use fewer components and require less maintenance
- Two-bolt removal provides easy componentry access
- Heavy-duty front bumper helps to protect the truck



Less Downtime. More Reliability.

Optional Multi-functional LCD

- PIN numbers
- Customized performance settings
- Visual depiction of remaining battery charge.
- On-board diagnostics
- Tool-free troubleshooting

Easily accessible components for quick maintenance

IP65 rated sealed controller allows these trucks to operate in wet rooms, coolers and freezers with temperatures down to -20°F (-28.9°C)

Powerful 3-phase AC technology: Brushless AC drive motors utilize fewer components, requiring less maintenance

Thermal protection may slow or shut down the system in case of high temperatures

“Smart” electric brake system provides less heat build-up and eliminates the need for adjustments

Upper and lower steer component design helps to reduce risk of damage to steer head while providing easy serviceability

Heavy-duty drive unit and gear A quiet, field-proven spiral beveled gear drive system provides smooth and reliable performance

Steel bearing race seal greatly reduces dirt and debris from entering motor and drive unit housing





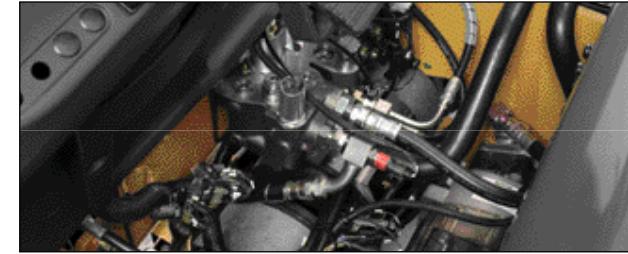
Local service and support



Genuine OEM parts



Custom financing packages



Factory warranty for added protection

MORE CONFIDENCE

Local Support You Can Count On

A Cat lift truck purchase connects you to a variety of material handling solutions, including world-class service and support from your local, trusted dealer. With trained service technicians, a diverse parts inventory and a broad selection of service options, your local dealer can help you lower costs, enhance productivity and more efficiently manage your business.

FINANCING MADE SIMPLE

Financing your next Cat lift truck is easy with our wide range of flexible leasing and purchasing options. Whether you want to finance or lease, your local Cat lift truck dealer can help customize a package for your business.

WHEN EVERY PART COUNTS

When buying from your local Cat lift truck dealer, you can rest assured that your genuine OEM parts are manufactured to meet original equipment criteria. Additionally, all Cat lift trucks OEM parts come with a six-month, unlimited-hours warranty.

When speed is critical, our Parts Fast Or Parts Free Guarantee* ensures next-business-day delivery of all Cat lift trucks parts, or they're free, including freight. If your part doesn't come in by the next business day, we pay for it.

STANDING BEHIND OUR PRODUCTS

We deliver peace of mind by helping your lift trucks stay on the job. Every new Cat lift truck is covered by a 1-year / 2,000-hours warranty that includes parts and labor, as well as components and systems. With our standard 2-year / 4,000-hours extended powertrain warranty, you'll have the confidence that only comes from owning a Cat lift truck.

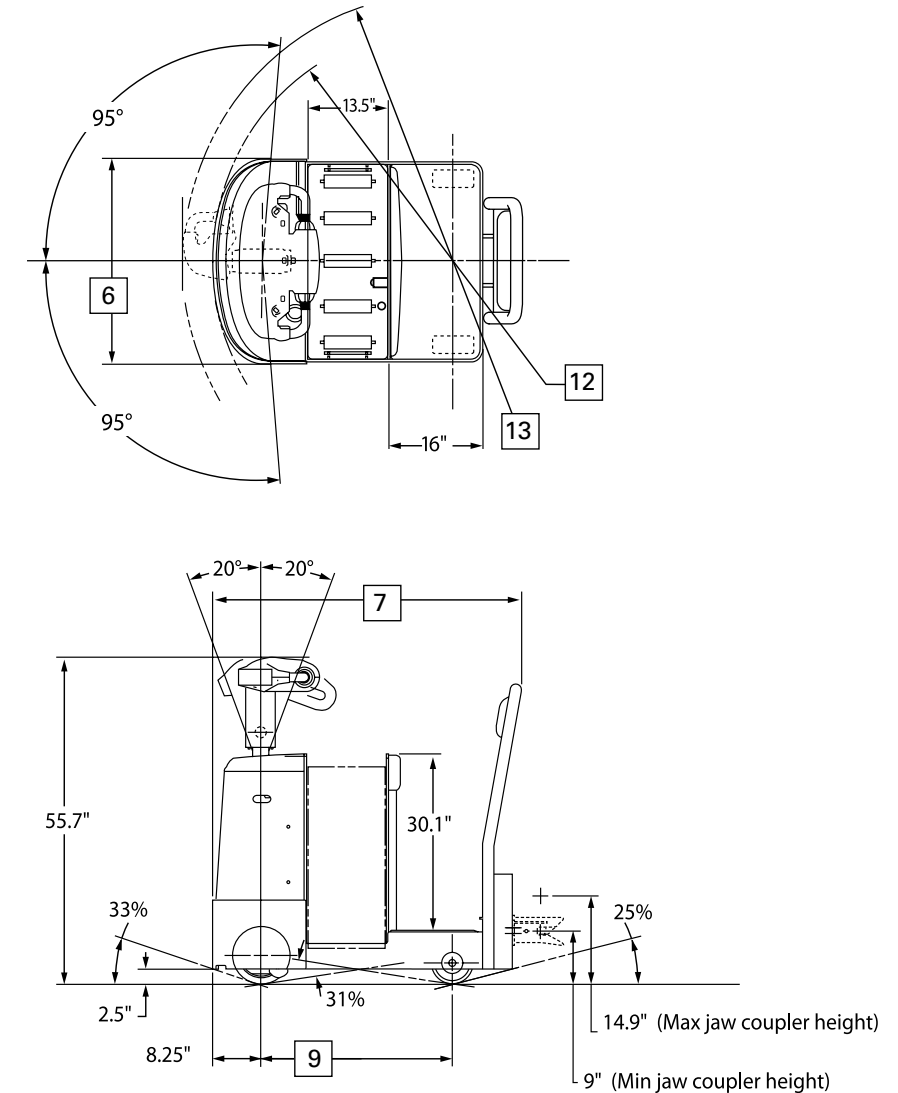
* At dealer's location.

† Programs may be subject to change without notice and may vary by region. Please ask your local Cat lift truck dealer for complete terms and conditions.

Specifications

Characteristics			WT45M		
1	Rolling capacity at rated load center	lb	kg	10,000	4,535
2	Power type	V		24V electric	
3	Operator type	walkie / rider			
4	Tire type – drive / trail	solid rubber / poly			
5	Wheels (x=driven) drive / trail	1x / 2			
Dimensions			WT45M		
6	Overall width	in	mm	35.1	890
7	Overall length (without coupler)	in	mm	52.8	1,340
8	Overall height – to top of steer head	in	mm	55.7	1,415
9	Wheelbase	in	mm	32.7	830
10	Front overhang	in	mm	8.25	210
11	Grade clearance – under chassis	%		31	
12	Turning radius – minimum outside	in	mm	41.0	1,040
13	Turning radius – including handle at 90°	in	mm	46.3	1,175
14	Drive tire dimensions	in	mm	10 x 4	255 x 100
15	Trail wheels dimensions	in	mm	7 x 3	180 x 75
Performance			WT45M		
16	Travel speed – unloaded	mph	km/h	9.1	14.6
17	Travel speed – loaded	mph	km/h	5.6	9.0
18	Drawbar pull – normal	lb	N	225	1,000
19	Drawbar pull – maximum	lb	N	710	3,158
Weight			WT45M		
20	Truck weight without battery – unloaded	lb	kg	1,195	545
Battery			WT45M		
21	Compartment size – length x width x height	in	mm	33.3 x 13.5 x 31.6	850 x 345 x 805
22	Amp Hr capacity – maximum (6 hour)	Ah		840	
23	Weight – minimum / maximum	lb	kg	855 / 1,500	390 / 680
24	Lead length – position B	in	mm	20	508
25	Connector	type		SB-175Red	
26	Battery roller (optional) – height from floor (forks lowered)	in	mm	7.05	180

Call-out numbers shown in the diagram correspond to the first column of the specifications chart.



Safety Standards

These trucks meet American National Standards Institute/Industrial Truck Standards Development Foundation, ANSI/ITSDF B56.9.

Users should be aware of, and adhere to, applicable codes and regulations regarding operator training, use, operation and maintenance of powered industrial trucks, including:

- ANSI/ITSDF B56.9.
- NFPA 505, fire safety standard for powered industrial trucks - type designations, areas of use, maintenance and operation.
- Occupational Safety and Health Administration (OSHA) regulations that may apply.

Contact your Cat lift truck dealer for further information including operator training programs and auxiliary visual and audible warning systems, fire extinguishers, etc., as available for specific user applications and requirements. Specifications, equipment, technical data, photos and illustrations based on information at time of printing and subject to change without notice. Some products may be shown with optional equipment.

* Battery compartment size with optional rollers and side gates: 30.9 x 13.5 x 31.6 (785 x 345 x 805).

NOTE: These specifications assume the use of drive axles, tires and tilt angles specified. Maximum converted value to gradeability at maximum torque of the traction motor. Any modification to specifications, or any other combination of specifications made after the shipment of the truck, requires prior written approval from Logisnext Americas, Inc. (See ANSI/ITSDF B56.9.) Also be advised that overall operating visibility may be affected by the mast configuration and mast options of your truck. Therefore, you may need to add ancillary [auxiliary] devices or modify your operating practices. Consult your dealer for further information.



Your Cat lift truck dealer can provide additional options and features to specialize your lift truck for your unique application. Operator training and custom financing programs are also available to help find the right fit for your business.

Helping move businesses forward – that’s how we’re built.

Note: Equipping this model with a power source (e.g. Lithium-ion, Hydrogen Fuel cell, etc.) that has not been previously approved by the factory is considered a modification. Per OSHA 1910.178 and ANSI/ITSDF B56.1, please consult with your factory representative prior to installing any non-OEM power source that has not been previously approved.

*The product shown may be different than the actual configuration based on market requirements.

© 2026 Logisnext Americas Inc. CAT, CATERPILLAR, LET'S DO THE WORK, their respective logos, "Caterpillar Corporate Yellow", the "Power Edge", and Cat "Modern Hex" trade dress as well as corporate and product identity used herein, are trademarks of Caterpillar used under license and may not be used without permission from Caterpillar. Some products may be shown with optional equipment.